

Shock Absorber BMW R nineT S46PR1C1B

BM 4400

Spare Parts List



SPARE PARTS LIST BM 4400

SAFETY PRECAUTIONS

Warning!

The shock absorber/front fork/steering damper is an important part of the vehicle and will affect the stability.

Warning!

After installing the Öhlins product, take a test ride at low speed to make sure your vehicle has maintained stability.

Warning!

Some of Öhlins products contain pressurized nitrogen gas (N₂). Do not open, service or modify pressurized products without proper education (approved Öhlins dealer/distributor) and proper tools.

Note!

Read and ensure you understand the information in this manual and other technical documents provided by Öhlins, before you use the product.

Note!

Öhlins Racing AB can not be held responsible for any damage to the shock absorber/front fork/steering damper, vehicle, other property or injury to persons, if the instructions for mounting, usage and maintenance are not obeyed.

Warning!

If the suspension makes an abnormal noise, or the function is irregular, or if you notice any leakage from the product, stop the vehicle immediately and return the product to an Öhlins Service Centre.

Warning!

The product warranty shall only apply if the product has been operated and maintained in accordance with recommendations in this manual. If you have any questions regarding usage, service, inspection and/or maintenance contact Öhlins.

Note!

When working with the Öhlins product, read the Vehicle Service Manual.

Warning!

This product was developed and designed exclusively for a specific vehicle model and shall only be installed on the intended vehicle model in its original condition as delivered from the vehicle manufacturer.

Contents

Figure 1 - Shaft assy.....	3
Figure 2 - Cylinder head/tube.....	4
Figure 3 - Reservoir	5
Figure 4 - Compression adjuster	6
Figure 5 - Integrated spring preload assy.....	7

SAFETY SYMBOLS

In this manual, mounting instructions and other technical documents, important information concerning safety is distinguished by the following symbols:



The Safety Alert Symbol means: *Warning! Your safety is involved.*

Warning!

The Warning Symbol means: *Failure to follow warning instructions can result in severe or fatal injury to anyone working with, inspecting or using the shock absorber, or to bystanders.*

Caution!

The Caution Symbol means: *Special precautions must be taken to avoid damage to the shock absorber.*

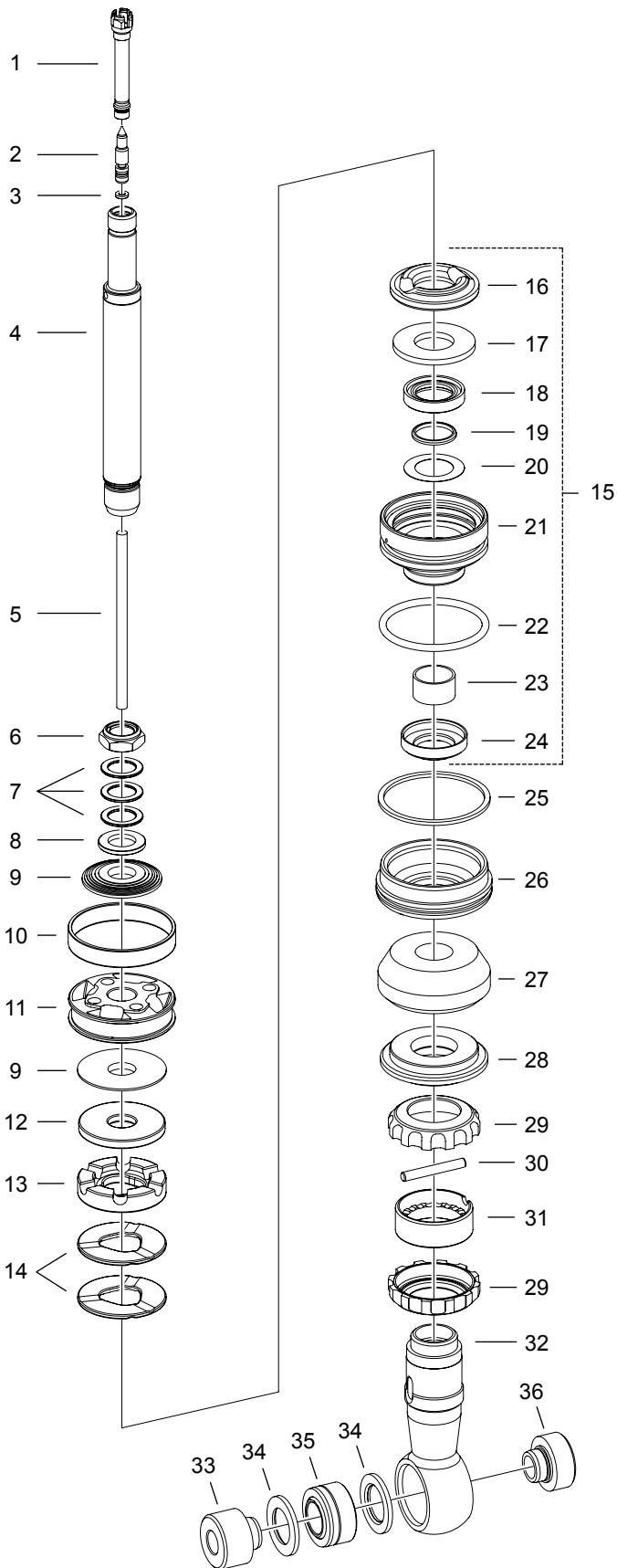
Note!

The Note Symbol indicates information that is important regarding procedures.

© Öhlins Racing AB. All rights reserved.
Any reprinting or unauthorized use without the written permission of Öhlins Racing AB is prohibited.

SPARE PARTS LIST BM 4400

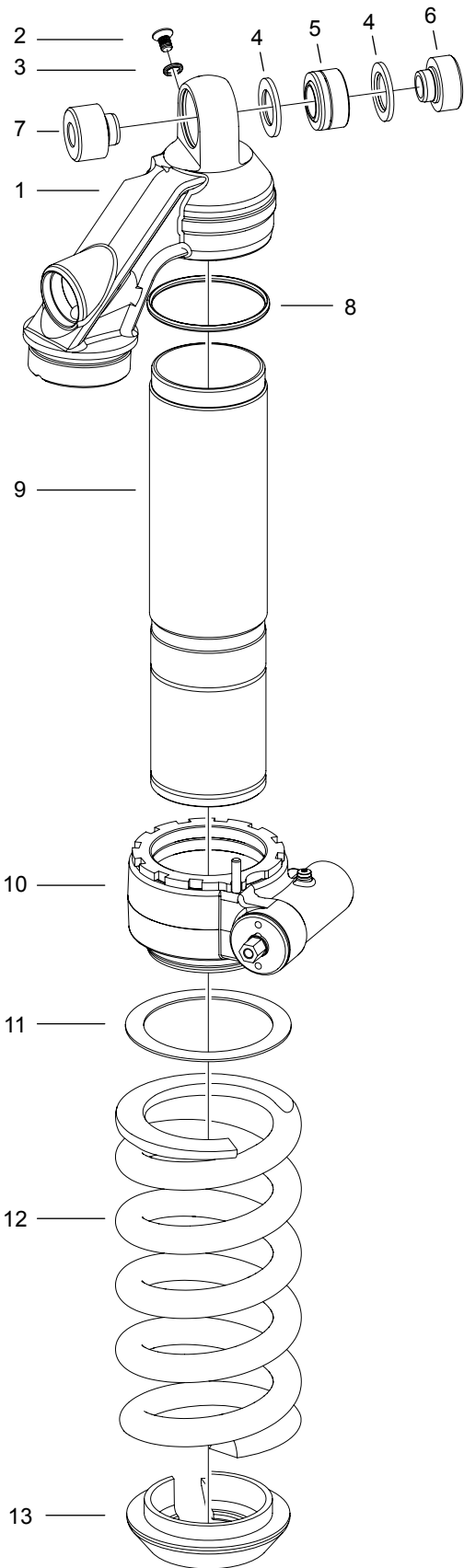
Figure 1 - Shaft assy



Pos	Part No	Pcs	Description	Notes
1-1	05665-18	1	Valve assy Ø1.8	
1-2	05655-04	1	Adjustment needle	
1-3	00338-14	1	O-ring	
1-4	05500-05	1	Shaft	143mm
1-5	00566-66	1	Adj. shaft	83,6mm
1-6	00539-01	1	Lock nut	
1-7	00578-01	3	Washer	
1-8	00519-07	1	Stop washer	
1-9	-	-	Shim stack	see spec. card
1-10	00541-01	1	Piston ring	
1-11	01114-14	1	Piston	
1-12	00519-04	1	Stop washer	
1-13	06098-01	1	Bleed washer	
1-14	01069-02	2	Spacer	
1-15	05129-09	1	Seal head assy	
1-16	03067-03	1	Stop rubber	
1-17	04752-03	1	Washer	
1-18	04717-03	1	Seal	
1-19	01032-23	1	Back-up ring	
1-20	04729-04	1	Shim	
1-21	05122-06	1	Seal head	
1-22	00338-46	1	O-ring	
1-23	01056-14	1	Bushing	
1-24	01031-02	1	Scraper	
1-25	00575-01	1	Circlip	
1-26	01065-31	1	End cap	
1-27	00563-03	1	Bump rubber	
1-28	01017-01	1	Stop washer	
1-29	01016-01	2	Seal rebound adjuster	
1-30	01030-01	1	Pin	
1-31	01128-01	1	Adjustment knob	
1-32	01054-07	1	End eye	
1-33	01218-30	1	Spacer, ball joint	left side
1-34	00534-01	2	Seal ball joint	
1-35	00536-13	1	Ball joint	
1-36	01218-46	1	Spacer, ball joint	right side

SPARE PARTS LIST BM 4400

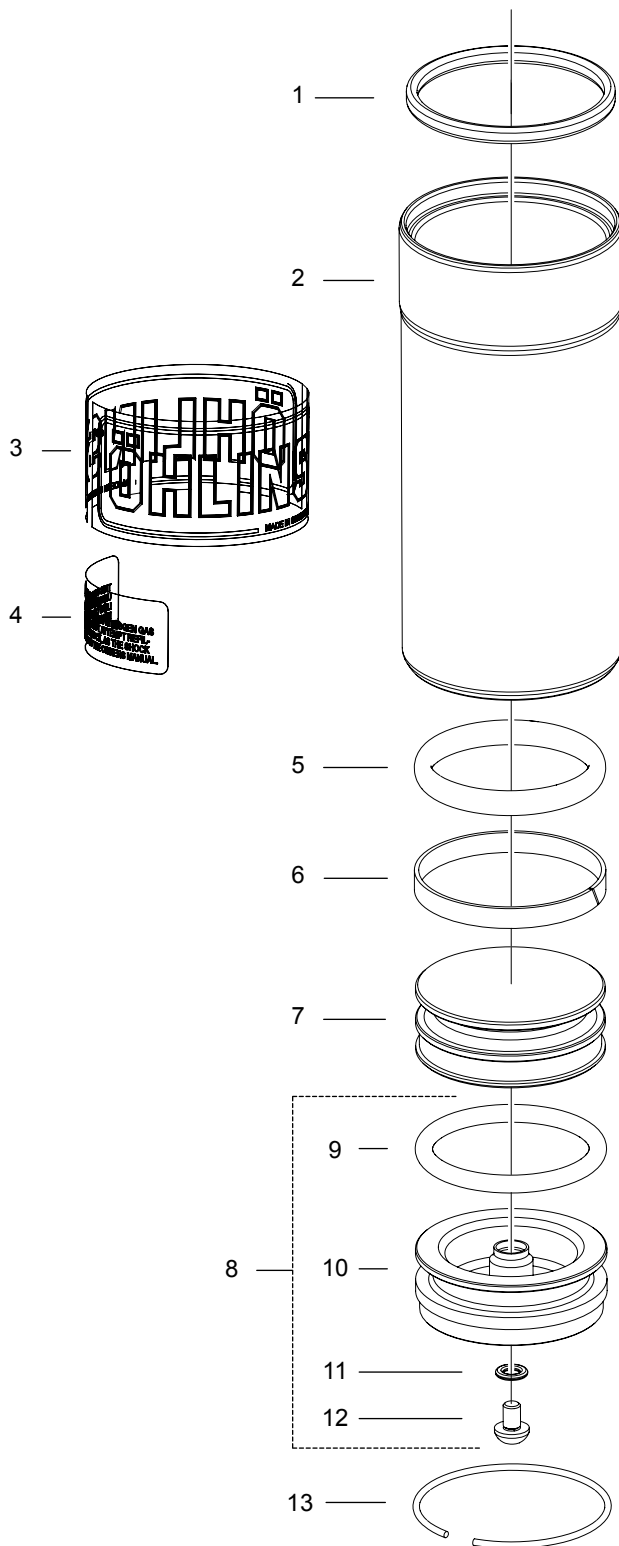
Figure 2 - Cylinder head/tube



Pos	Part No	Pcs	Description	Notes
2-1	00890-57	1	Cylinder head	
2-2	00382-07	1	Screw M5x8	
2-3	00438-33	1	O-ring	
2-4	00534-01	2	Seal ball joint	
2-5	00536-13	1	Ball joint	
2-6	01218-46	1	Spacer, ball joint	right side
2-7	01218-30	1	Spacer, ball joint	left side
2-8	00338-37	1	O-ring	
2-9	04210-60	1	Cylinder tube	203mm
2-10	03645-01	1	Hydr.prel.assy	see page 7
2-11	00543-01	1	Washer	
2-12	01093-64	1	Spring	160N/mm
2-13	00629-01	1	Spring clip	

SPARE PARTS LIST BM 4400

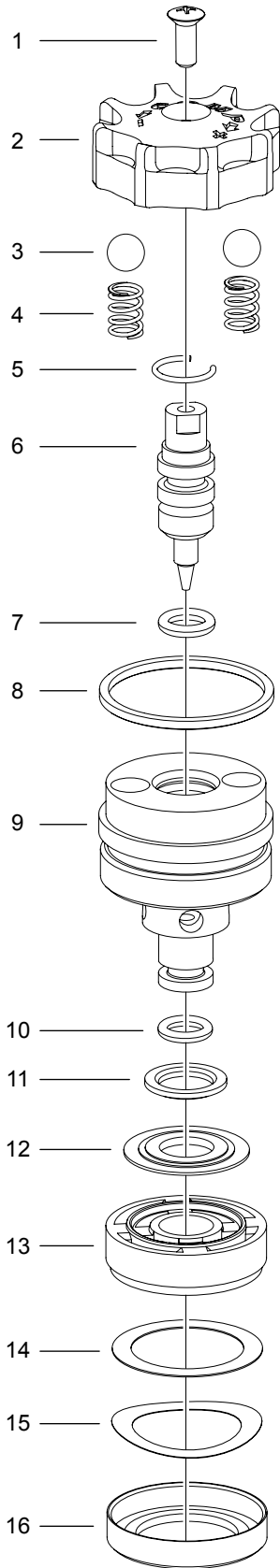
Figure 3 - Reservoir



Pos	Part No	Pcs	Description	Notes
3-1	00338-24	1	O-ring 40.87x3.53	
3-2	00302-01	1	Reservoir	110mm
3-3	00191-01	1	Sticker Öhlins	
3-4	00196-01	1	Sticker Warning	
3-5	00338-26	1	O-ring 33x5	
3-6	00340-01	1	Teflon band	
3-7	00305-01	1	Reservoir piston	
3-8	00161-03	1	Reservoir top assy	
3-9	00338-04	1	O-ring 33x5	
3-10	00561-03	1	Reservoir top	
3-11	00338-59	1	O-ring 4.5x1.5	
3-12	01050-01	1	Screw M4x5	
3-13	00329-01	1	Circlip	

SPARE PARTS LIST BM 4400

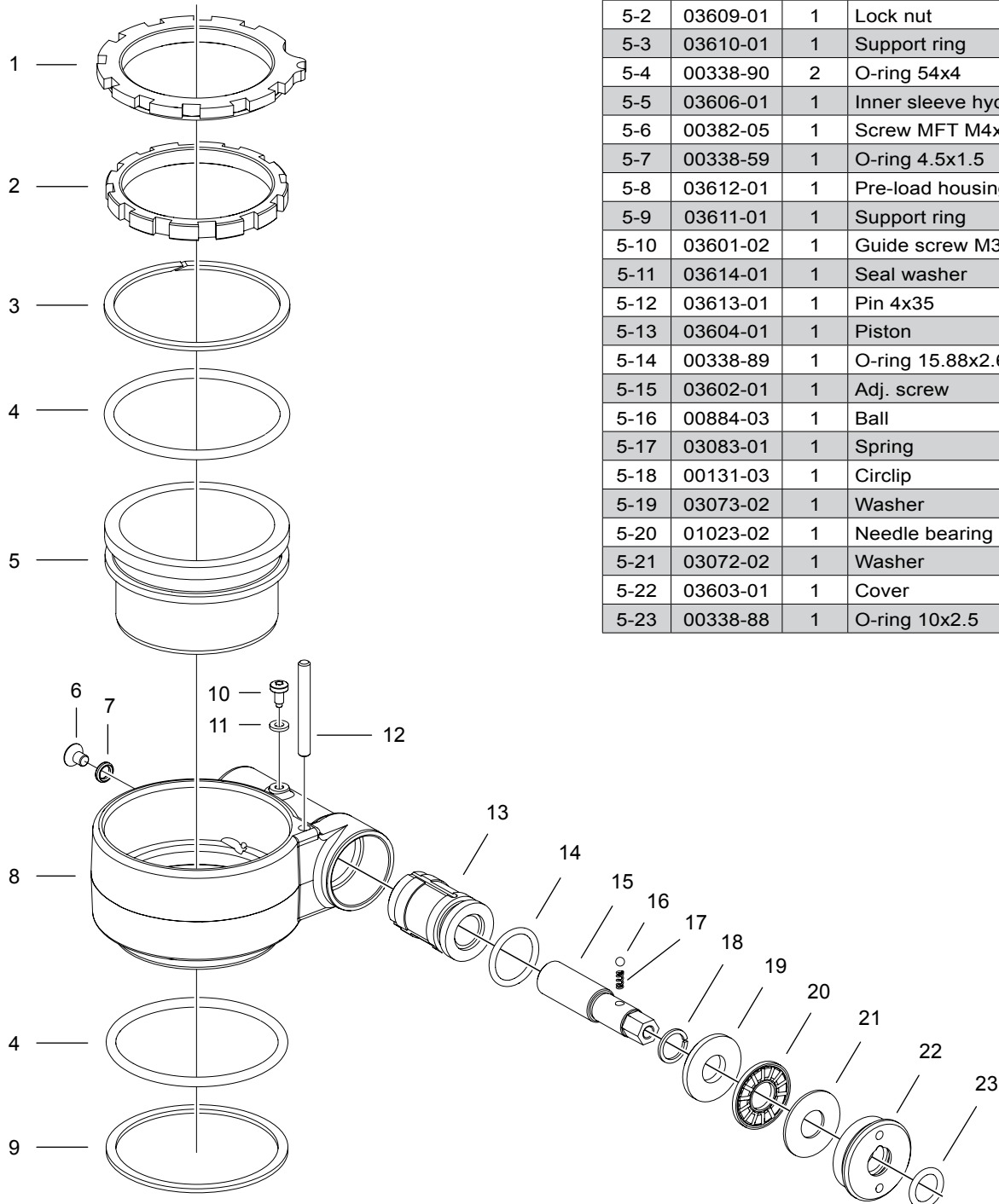
Figure 4 - Compression adjuster



Pos	Part No	Pcs	Description	Notes
4-1	00828-01	1	Screw M3x8	
4-2	21050-20	1	Knob comp. adjuster	
4-3	00884-07	2	Ball	
4-4	00833-01	2	Spring	
4-5	01473-06	1	Circlip	
4-6	01242-06	1	Adjustment needle	
4-7	00338-79	1	O-ring 5.28x1.78	
4-8	00338-27	1	O-ring 21.95x1.78	
4-9	01243-07	1	End piece comp.adjuster	
4-10	00577-01	1	O-ring 5.1x1.6	
4-11	00641-05	1	Clamp washer	
4-12		-	Shim stack	see spec. card
4-13	01244-07	1	Valve	
4-14	01245-01	1	Check valve Shim	
4-15	01246-01	1	Wave washer	
4-16	01247-01	1	Check valve housing	

SPARE PARTS LIST BM 4400

Figure 5 - Integrated spring preload assy



Pos	Part No	Pcs	Description	Notes
5-1	03608-01	1	Guide nut	
5-2	03609-01	1	Lock nut	
5-3	03610-01	1	Support ring	
5-4	00338-90	2	O-ring 54x4	
5-5	03606-01	1	Inner sleeve hydr.prel.adj	
5-6	00382-05	1	Screw MFT M4x6	
5-7	00338-59	1	O-ring 4.5x1.5	
5-8	03612-01	1	Pre-load housing	
5-9	03611-01	1	Support ring	
5-10	03601-02	1	Guide screw M3x6.5	
5-11	03614-01	1	Seal washer	
5-12	03613-01	1	Pin 4x35	
5-13	03604-01	1	Piston	
5-14	00338-89	1	O-ring 15.88x2.62	
5-15	03602-01	1	Adj. screw	
5-16	00884-03	1	Ball	
5-17	03083-01	1	Spring	
5-18	00131-03	1	Circlip	
5-19	03073-02	1	Washer	thick
5-20	01023-02	1	Needle bearing	
5-21	03072-02	1	Washer	thin
5-22	03603-01	1	Cover	
5-23	00338-88	1	O-ring 10x2.5	

Your Öhlins retailer:

Öhlins Racing AB
Box 722
SE-194 27, Upplands Väsby
Sweden

Phone: +46 (0)8 590 025 00
Fax: +46 (0)8 590 025 80
www.ohlins.com



www.ohlins.com