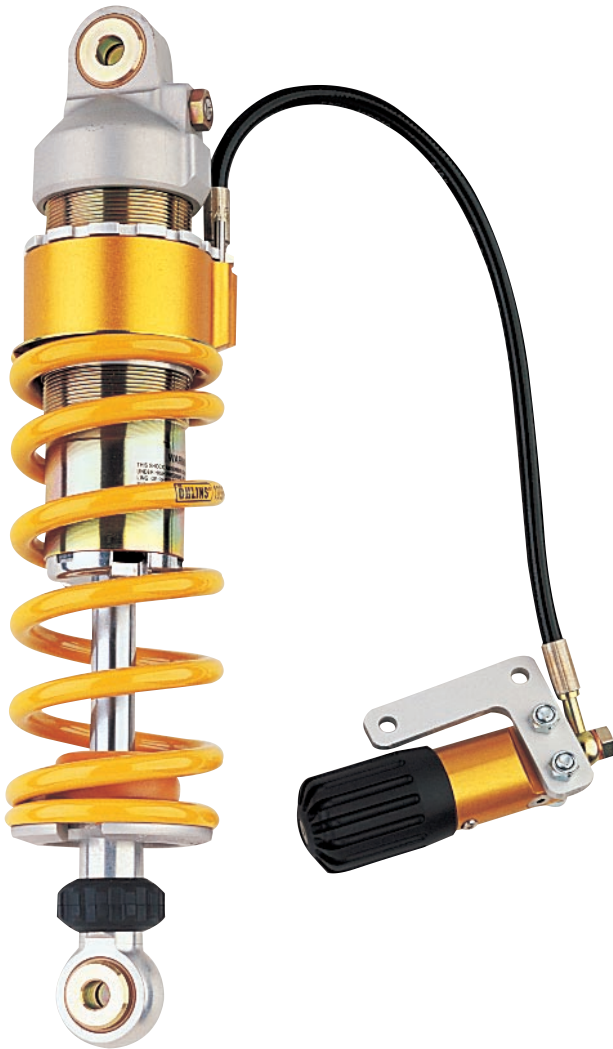


BM 940

BMW R1150 GS rear



Öhlins shock absorber 46 DRS

Your Öhlins shock absorber type 46 DRS features the following adjusters:

Compression damping adjuster

Adjustments are made on top of the reservoir.

Rebound damping adjuster

Adjuster wheel on the piston shaft above the end bracket.

Spring preload adjuster

Adjustments are made by turning the rings on the shock absorber body. Clockwise for harder adjustment, counter clockwise too release the preload.

NOTE!

When delivered the Öhlins shock absorber is dialed to recommended settings for the specific brand and make of the motorcycle. If you have changed the setting check like this:

The adjusters have a normal right hand thread. Turn the damping adjusters clockwise to fully closed (pos. zero [0]). Turn counter clockwise to open and count the clicks until you reach the recommended number of clicks. See Setup data at last page.

CAUTION!

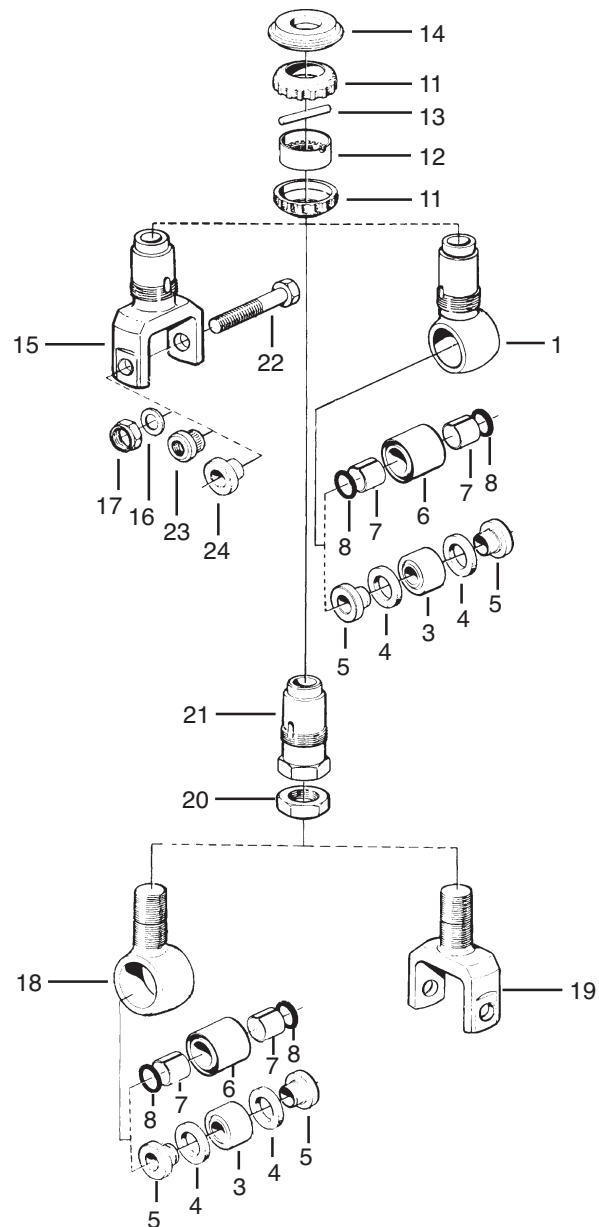
Do not use to much force, delicate sealing surfaces can be damaged.

BM 940

BMW R1150 GS rear

End eye

FigNo.	Part No	Description	Qty
01-03	00536-02	Ball joint dia 14/26/15	1
01-04	00534-01	Seal ball joint 16/26/3.5	2
01-05	01018-18	Spacer, ball joint 10x40	2
01-11	01016-01	Seal rebound adjuster	2
01-12	01128-01	Adjustment knob 25/33.1	1
01-13	01030-01	Pin 4x30 CP r h8	1
01-14	01017-01	Stop washer 20/46/10	1
01-01	01054-07	End eye 16/75/26	1

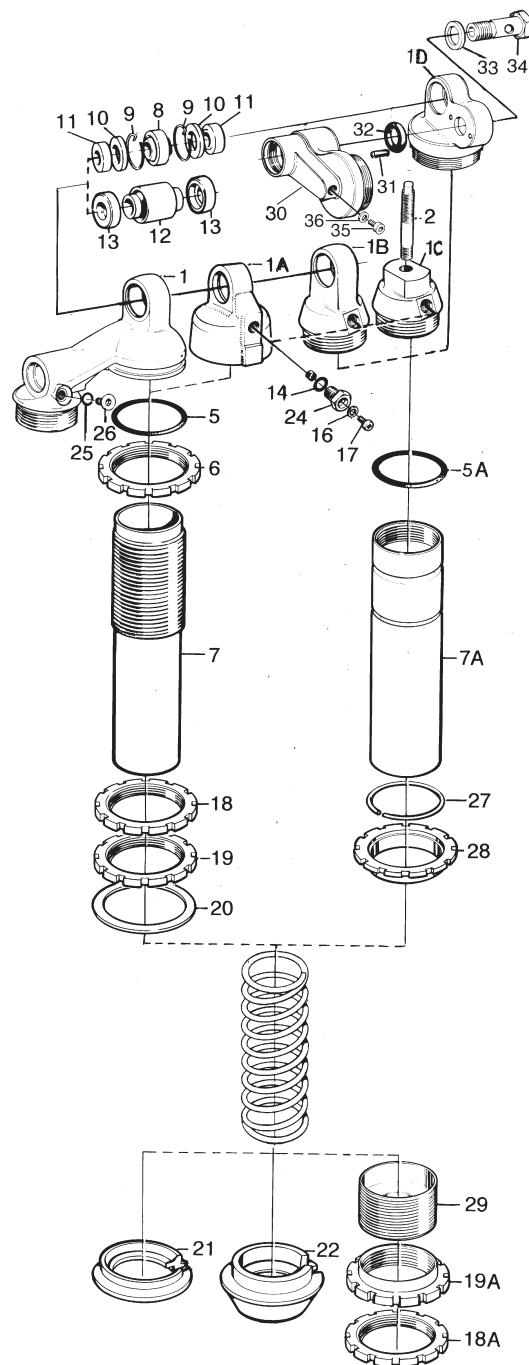


BM 940

BMW R1150 GS rear

Body tube

Fig No.	Part No	Description	Qty
02-08	00536-02	Ball joint dia 14/26/15	1
02-10	00534-01	Seal ball joint 16/26/3.5	2
02-11	01018-39	Spacer, ball joint 10x32	2
02-17	01050-01	Screw MRX-H 4x6 stainless	1
02-1B	01282-01	Cylinder head (gas valve 46/26)	1
02-5A	00338-32	O-ring 44.12x2.62 NBR70	1
02-20	00543-01	Washer 57/73/1	1
02-22	00629-01	Spring clip for springs 57	1
02-24	00603-01	Valve gas assy with rubber unit	1
02-7A	01110-26	Cylinder tube 46/196	1

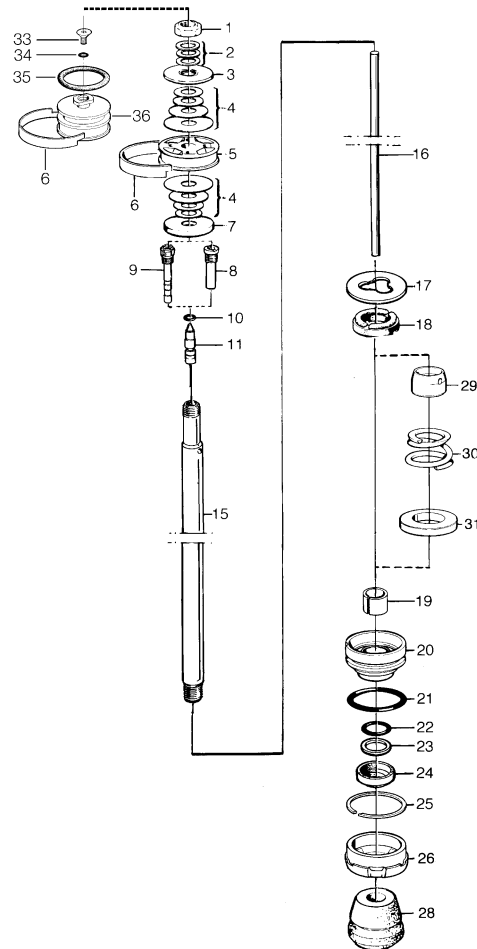


BM 940

BMW R1150 GS rear

Shaft

Fig No.	Part No	Description	Qty
03-01	00539-01	Lock nut M12x1.25/7	1
03-02	00578-01	Washer PS 12/18/1	5
03-03	00519-07	Stop washer 12/20/2 flat	1
03-05	01114-14	Piston 12/46	1
03-06	00541-01	Piston ring 46 (INA 781561-1)	2
03-07	00519-08	Stop washer 12/37/4 TOP-OUT	1
03-08	05621-04	Shaft jet bleed 3.2/M7/37.7	1
03-10	00338-14	O-ring 3.1x1.6 NBR70	1
03-11	05655-04	Adjustment needle dia 3.2	1
03-15	05500-07	Shaft 16/163	1
03-16	00566-83	Adj.shaft 103.6/4.5	1
03-18	05115-01	Stop rubber 23/36/8	1
03-20	05129-04	Seal head assy 46/16	1
03-21	00576-01	O-ring 40.2x3 NBR70	1
03-22	01027-01	X-ring 15.54x2.62 NBR 88	1
03-23	01032-01	Back-up ring 16/20.6/1.4 PTFE	1
03-24	01031-02	Scraper 16/26x8/5.5	1
03-25	00575-01	Circlip SB 46, stainless	1
03-26	01065-01	End cap 46/16	1
03-28	00563-03	Bump rubber 16/47/19 PUR 650	1
03-29	01132-02	Stop washer topout spr.16-5-5500	1
03-30	01131-01	Stop spring 24.5/21.5/7	1
03-31	01269-03	Spacer 16/38/3	1
03-33	00382-01	Screw MF6S 6x10 stainless	1
03-34	00338-01	O-ring 6.07x1.78 NBR70	1
03-35	00338-13	O-ring 36x5 FKM70	1
03-36	01005-01	Piston diam 46	1
	00191-06	Sticker "ÖHLINS" blue/transp 18x46	1
	00192-01	Sticker "ÖHLINS" Yellow/blue 47x125	2
	00196-01	Sticker "Warning"black/transp 17x53	1



BM 940

BMW R1150 GS rear

Preload adjuster

Fig No.	Part No	Description	Qty
06-00	03643-12	Hydr.prel. -95 assy 3:1 hose	1
06-01	03611-01	Support ring di 54.4x3.25x1.5	1
06-02	00338-90	O-ring 54X4 NBR70	2
06-03	03607-01	Preload housing M10-hose	1
06-05	03610-01	Support ring 62.2x3.25x1.5	1
06-06	03606-01	Inner sleeve hydr.prel.adj	1
06-07	03609-01	Lock nut 61/52/6	1
06-08	03608-01	Guide nut 52/73/6	1
06-09	03613-01	Pin CP 4x35 m6 A1	1
06-10	01042-12	Hose M10x1/8/460	1
06-11A	01048-01	Seal washer dia 8 8.7x14x1	2
06-12	03600-02	Adj.cylinder hydr.prel.adj 3:1 8mm	1
06-13	00438-33	O-ring 5.28x1.78 NBR70	1
06-14	00382-07	Screw MF6S 5x8 stainless	1
06-15	03601-01	Guide screw M3x5.5	1
06-16	03604-02	Piston 17.5/M12-left/34	1
06-17	00338-71	O-ring 12.37x2.62 NBR70	1
06-18	03602-02	Adj. screw M12-left/54.5	1
06-19	03083-01	Spring 3/6.1/6.18	1
06-20	00884-03	Ball 3-G40-X46CR13	1
06-21	00131-03	Circlip SW 10	1
06-22	03073-02	Thrust washer LS 1024	1
06-23	01023-02	Thrust needle bearing AXK1024	1
06-24	03072-02	Thrust washer AS 1024	1
06-25	03603-01	Cover 29/10.3/9	1
06-26	00338-88	O-ring 10x2.5 NBR70	1
06-27	03605-01	Knob for hydr.prel.adj. with hose	1
06-28	00382-08	Screw MF6S 5x12 stainless	1
06-29	00831-01	Banjo bolt M8x1	1
06-31	01165-01	Bracket hydraulic preload adjust.	1
06-34	01046-17	Bolt MC6S 6x25 8.8 fzb	2
06-35	00430-02	Nut M6 DIN 985 fzb kl8	2
06-37	00153-04	Washer BRB SMS70 6.4/12/1.5	2

