

Front Fork Cartridge kit for Harley-Davidson Touring FLHx/FLTx

FKC 1011

Spare Parts List



Safety precautions

General Warnings

Note!

The shock absorber/front fork/steering damper is an important part of the vehicle and will affect the stability.

Note!

Read and ensure you understand the information in this manual and other technical documents provided by Öhlins, before using the product.

Note!

Öhlins Racing AB can not be held responsible for any damage to the shock absorber/front fork/steering damper, vehicle, other property or injury to persons, if the instructions for mounting, usage and maintenance are not followed exactly.

Warning!

After installing the Öhlins product, take a test ride at low speed to ensure your vehicle has maintained stability.

Warning!

If the suspension makes an abnormal noise, or the function is irregular, or if you notice any leakage from the product, stop the vehicle immediately and return the product to an Öhlins Service Centre.

Warning!

The product warranty shall only apply if the product has been operated and maintained in accordance with recommendations in this manual. If you have any questions regarding usage, service, inspection and/or maintenance please contact Öhlins.

Warning!

This product was developed and designed exclusively for a specific vehicle model and shall only be installed on the intended vehicle model in its original condition as delivered from the vehicle manufacturer.

Note!

When working with the Öhlins product, read the Vehicle Service Manual.

SAFETY SYMBOLS

In this manual, mounting instructions and other technical documents, important information concerning safety is distinguished by the following symbols:



The Safety Alert Symbol means: Warning! Your safety is involved.

Warning!

The Warning Symbol means: Failure to follow warning instructions can result in severe or fatal injury to anyone working with, inspecting or using the shock absorber, or to bystanders.

Caution!

The Caution Symbol means: Special precautions must be taken to avoid damage to the shock absorber.

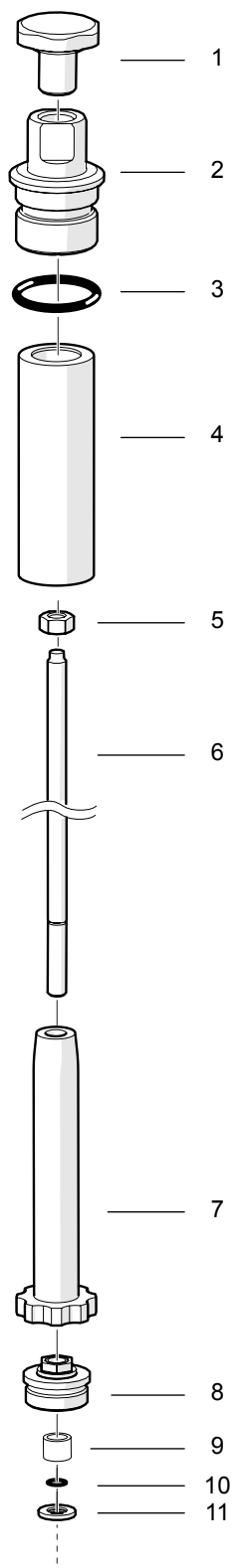
Note!

The Note Symbol indicates information that is important regarding procedures.

© Öhlins Racing AB. All rights reserved.

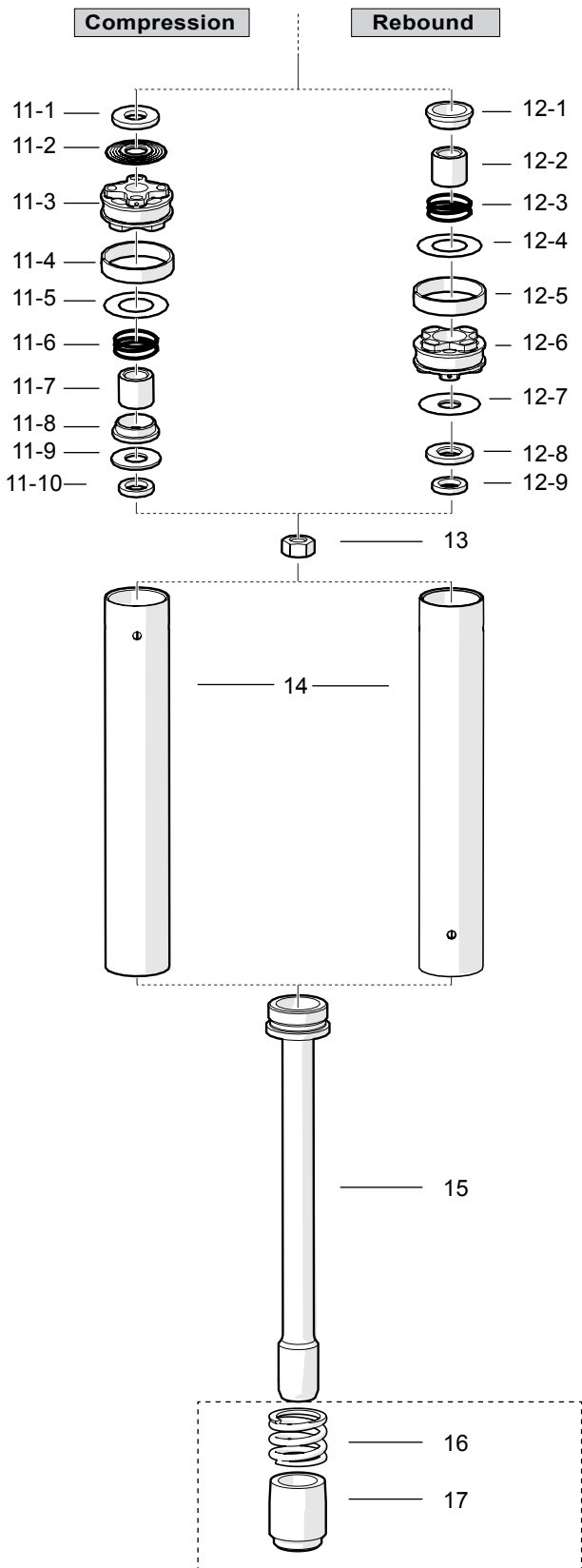
Any reprinting or unauthorized use without the written permission of Öhlins Racing AB is prohibited.

FKC 1011



Pos	Part no	Pcs	Description	Notes
1	21764-01	2	Screw top cap	
2	21763-01	2	Top cap	
3	00638-72	2	O-ring	
4	21805-01	2	Guide sleeve external	
5	00437-09	2	Nut	
6	21765-01	2	Shaft	
7	21804-01	2	Guide sleeve internal	
8	21766-01	2	Seal head	
9	01056-09	2	Bushing	
10	02251-01	2	Circlip	
11	21767-16	2	Washer	

FKC 1011



Pos	Part no	Pcs	Description	Notes
11 Compression valve				
11-1	21750-16	1	Washer	
11-2	-	-	Shim stack	
11-3	21800-01	1	Piston	
11-4	01447-02	1	Piston ring	
11-5	01115-22	1	Check valve shim	
11-6	01693-02	1	Check valve spring	
11-7	01669-06	1	Sleeve	
11-8	01672-03	1	Spring collar	
11-9	00120-05	1	Washer	
11-10	01674-01	1	Washer	
12 Rebound valve				
12-1	01672-03	1	Spring collar	
12-2	01669-06	1	Sleeve	
12-3	01693-02	1	Check valve spring	
12-4	01115-22	1	Check valve shim	
12-5	01447-02	1	Piston ring	
12-6	21800-01	1	Piston	
12-7	-	-	Shim stack	
12-8	21750-16	1	Washer	
12-9	01674-01	1	Washer	
13	00139-02	2	Nut	
14	21768-01	2	Cylinder tube	
15	21769-01	2	Adaptor	
16	21801-01	1	Top out spring	MY 2002-2005
17	21802-01	1	Oil lock sleeve	MY 2002-2005

Your Öhlins retailer:

Öhlins Racing AB
Box 722
SE-194 27, Upplands Väsby
Sweden

Phone: +46 (0)8 590 025 00
Fax: +46 (0)8 590 025 80
www.ohlins.com



www.ohlins.com