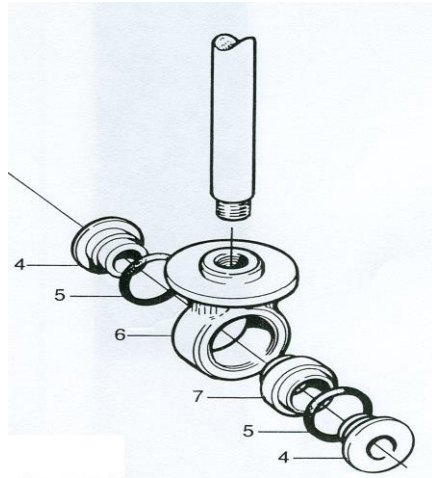
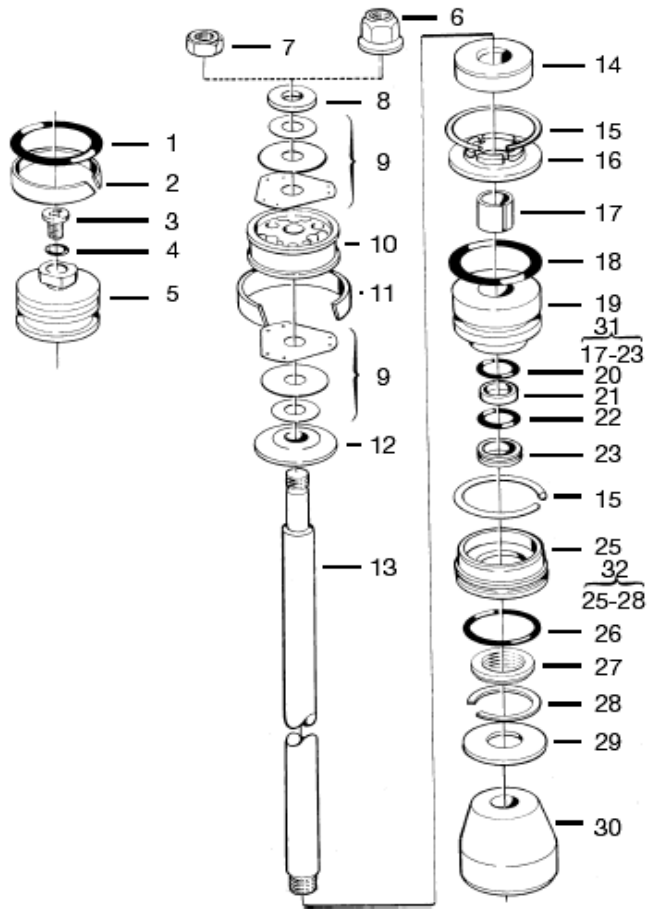


Fig. 01



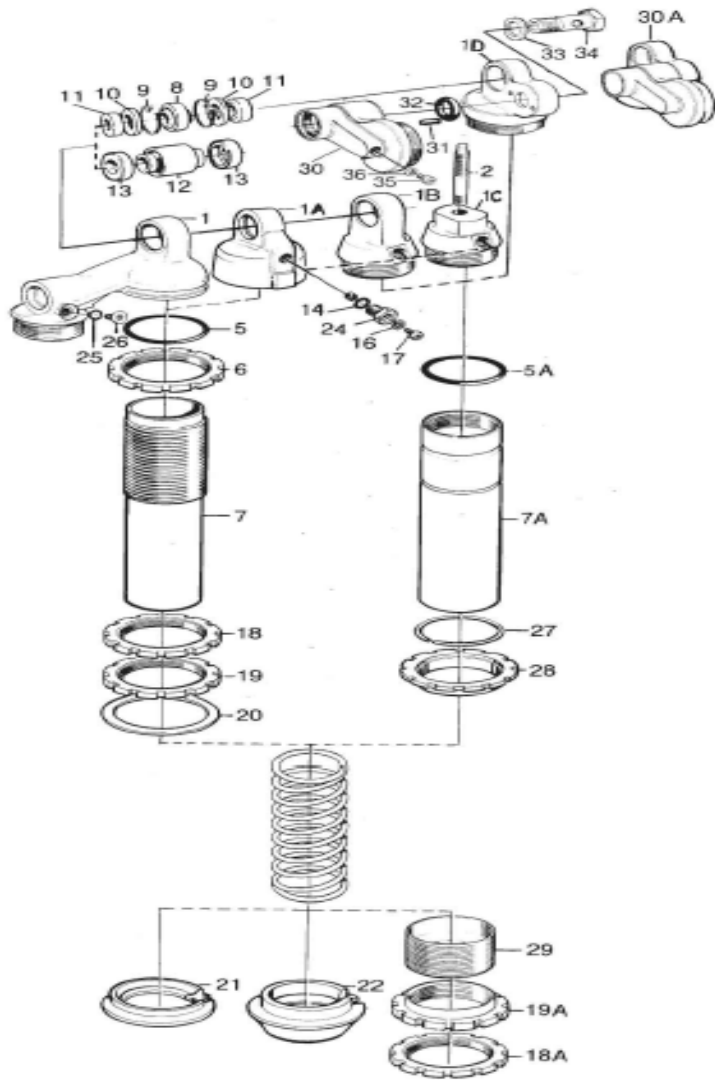
<i>End eye</i>	S36E	HARLEY DAVIDSON FX-DX	HD 2162
<i>Fig no.</i>	<i>Part no.</i>	<i>Description</i>	<i>Qty</i>
01-06	00125-01	End eye	1
01-07	00124-10	Rubber bushing	1
	00123-13	Sleeve for rubber bushing	1
	03118-19	Washer for rubber bushing	1
	03128-01	Screw 1/2-2" UNF	1

Fig.02



Shaft	S36E	HARLEY DAVIDSON FX-DX	HD 2162
Fig. no	Part no	Description	Qty
02-06	00139-02	Lock nut	1
02-08	00120-01	Washer	1
02-08	00120-05	Washer	1
02-09		Shim stack see spec card	
02-10	00104-11	Piston	1
02-11	03078-01	Piston ring	1
02-12	00119-07	Stop washer	1
02-13	00101-08	Shaft	1
02-14	03144-03	Spacer	2
02-15	00128-01	Circlip	2
02-16	00133-01	Stop rubber	1
02-17	00110-03	Bushing	1
02-18	00338-09	O-ring	1
02-20	00338-08	O-ring	1
02-21	00117-01	Seal	1
02-22	00338-10	O-ring	1
02-23	00122-01	Scraper	1
02-26	00338-05	O-ring	1
02-30	00163-15	Bump rubber	1
02-31	00121-01	Seal head assy	1
02-32	00165-02	End cap	1

Fig. 03



Body tube	S36E	HARLEY DAVIDSON FX-DX	HD 2162
Fig no.	Part no.	Description	Qty
03-00	00196-01	Sticker Warning	1
03-01	00201-22	Cylinder head	1
03-05	00338-02	O-ring	1
03-07	00300-30	Cylinder tube	1
03-08	00124-10	Rubber bushing	1
	00123-13	Sleeve for rubber bushing	1
	03118-19	Washer for rubber bushing	1
03-11	03127-01	Sleeve	1
03-14	00338-07	O-ring	1
03-16	00338-59	O-ring	1
03-17	01050-01	Screw	1
03-18	00155-02	Lock nut	1
03-19	00154-02	Spring platform	1
03-21	00116-04	Spring clip	1
03-24	00603-03	Valve assy	1
03-27	00131-01	Circlip	1
03-29	00157-02	Sleeve	1
	00417-02	Protector cylinder tube	1
	00180-97	Main spring	1