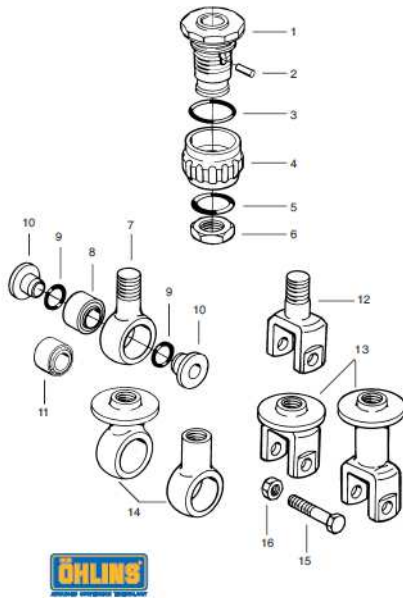


Fig. 01



	<i>S36DR1L</i>	<i>HONDA CB 1100</i>	<i>HO 0100</i>	<i>HO 0110</i>
<i>Fig No.</i>	<i>Part No</i>	<i>Description</i>		
<b>End eye</b>				
01-01	03058-01	Shaft extension	1	1
01-02	01030-07	Pin	1	1
01-03	00338-83	O-ring Reb.adjuster lower	1	1
01-04	03057-01	Adjustment knob	1	1
01-05	00338-25	O-ring Reb.adjuster upper	1	1
01-06	03059-01	Nut	1	1
01-07	03061-12	End eye	1	1
01-08	00124-23	Rubber bushing	1	1

Fig.02

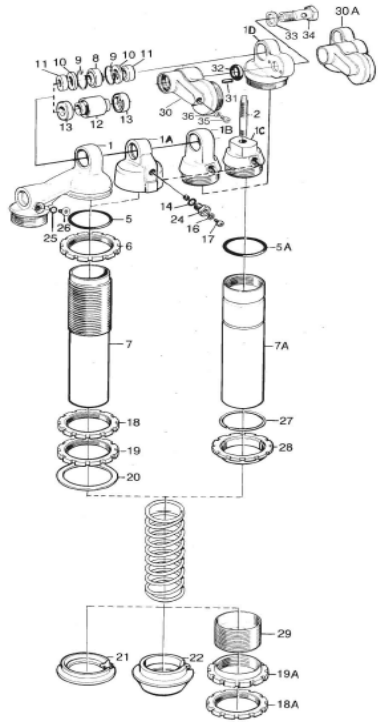


Fig No.	Part No	Description	HO 0100	HO 0110
<b>Body tube</b>				
02-00	00191-13	Sticker Öhlins	1	1
02-00	00196-01	Sticker Warning	1	1
02-01	00201-08	Cylinder head	1	1
02-05	00338-02	O-ring	1	1
02-07	04300-16	Cylinder tube	1	1
02-11	03118-13	Washer top inside	1	1
02-12	00124-15	Rubber bushing	1	1
02-14	00338-07	O-ring	1	1
02-16	00338-59	O-ring	1	1
02-17	01050-01	Screw	1	1
02-19	03251-01	Spring spring platform	1	1
	05410-02	Stop screw spring platform	1	1
02-21	03252-01	Spring clip	1	1
02-24	00603-03	Valve assy	1	1
	00417-02	Support sleeve spring	1	1
	00480-03	Spring black	1	
	21211-03	Spring chrome		1

Fig.03

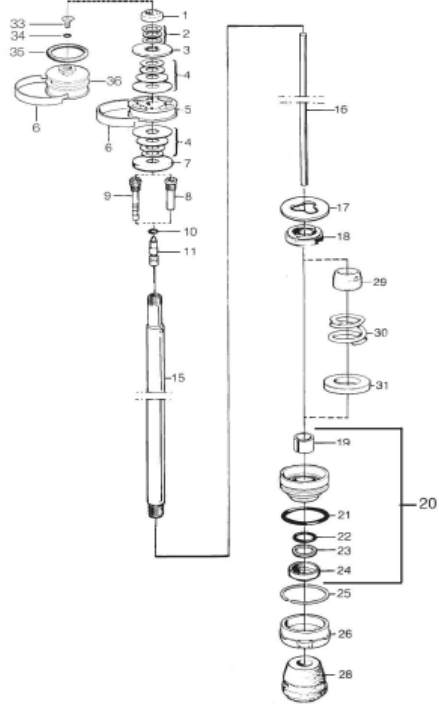


Fig No.	Part No	Description	HO 0100	HO 0110
<b>Shaft</b>				
03-01	00539-01	Lock nut	1	1
03-02	00578-01	Washer	3	3
03-05	03077-01	Piston	1	1
03-06	03078-01	Piston ring main piston	1	1
03-06	00141-01	Pistonring reservoir piston	1	1
03-07	00519-11	Stop washer	1	1
03-08	05621-03	Shaft jet	1	1
03-10	00338-14	O-ring	1	1
03-11	05655-03	Adjustment needle	1	1
03-15	04063-06	Shaft	1	1
03-16	00566-69	Adj.shaft	1	1
03-17	03269-03	Spacer	2	2
03-18	03067-02	Stop rubber	1	1
	04752-02	Washer	1	1
03-19	01056-12	Bushing	1	1
03-20	03164-06	Seal head assy	1	1
03-21	00338-09	O-ring	1	1
03-22	04717-02	Seal	1	1
03-23	01032-09	Back-up ring	1	1
	04729-02	Shim	1	1
03-24	03070-02	Scraper	1	1
03-25	00128-01	Circlip	1	1
03-26	03065-02	End cap	1	1
03-28	00163-18	Bump rubber	1	1
03-33	00382-01	Screw	1	1
03-34	00338-01	O-ring	1	1
03-35	00338-28	O-ring	1	1
03-36	00305-03	Reservoir piston	1	1