

# HO 204

Honda VTR1000-SP2



## Öhlins shock absorber 46 PRXLS

Your Öhlins shock absorber type 46 PRXLS features the following adjusters:

### Compression damping adjuster (X)

Adjustments are made on top of the reservoir.  
Low speed adjustments: Slotted centre screw.  
High speed adjustments: Hexagon screw.

### Rebound damping adjuster (R)

Adjuster wheel on the piston shaft above the end bracket.

### Spring preload adjuster (S)

Adjustments are made by turning the knob on the hydraulic adjuster.  
Clockwise for harder adjustment, counter clockwise too release the preload.

### Length adjuster (L)

Adjustment is made by turning the end eye and tightening with the lock nut.

### NOTE!

*When delivered the Öhlins shock absorber is dialed to recommended settings for the specific brand and make of the motorcycle. If you have changed the setting check like this:*

The adjusters have a normal right hand thread. Turn the damping adjusters clockwise to fully closed (pos. zero [0]). Turn counter clockwise to open and count the clicks until you reach the recommended number of clicks. See Setup data at last page.

### CAUTION!

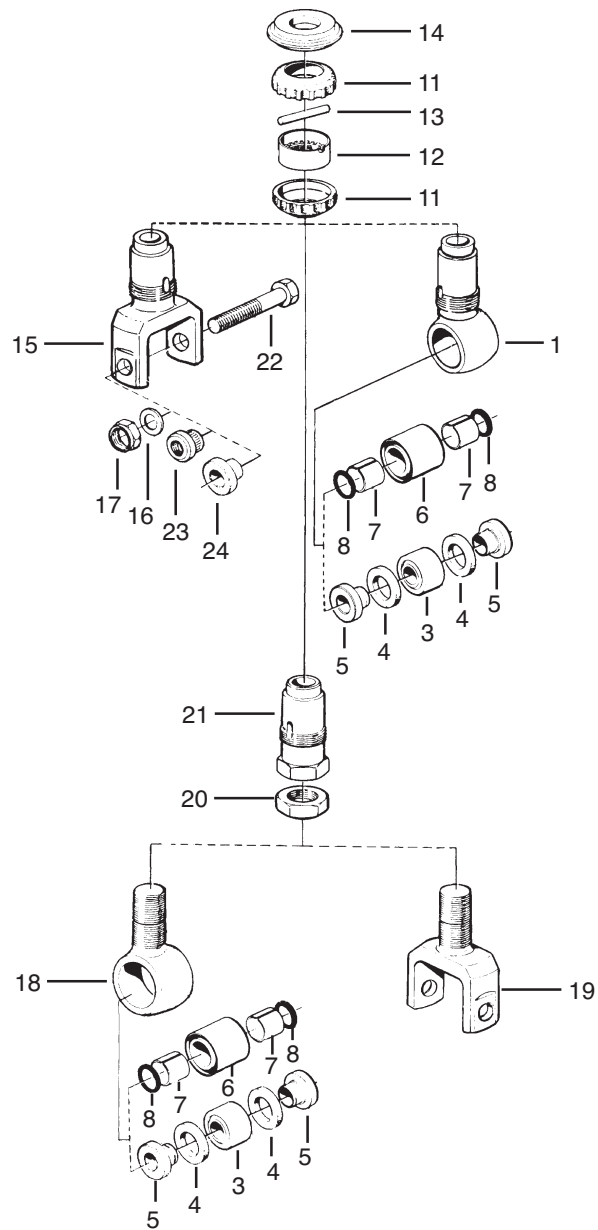
*Do not use too much force, delicate sealing surfaces can be damaged.*

# HO 204

Honda VTR1000-SP2

## End eye

FigNo.	Part No	Description	Qty
01-11	01016-01	Seal rebound adjuster	2
01-12	01128-01	Adjustment knob 25/33.1	1
01-13	01030-01	Pin 4x30 CPR h8	1
01-14	01017-01	Stop washer 20/46/10	1
01-19	01060-10	Bracket adjustable/63/30	1
01-20	01059-01	Nut M17x1/6.5	1
01-21	03109-01	Shaft M15x1/i16/44	1

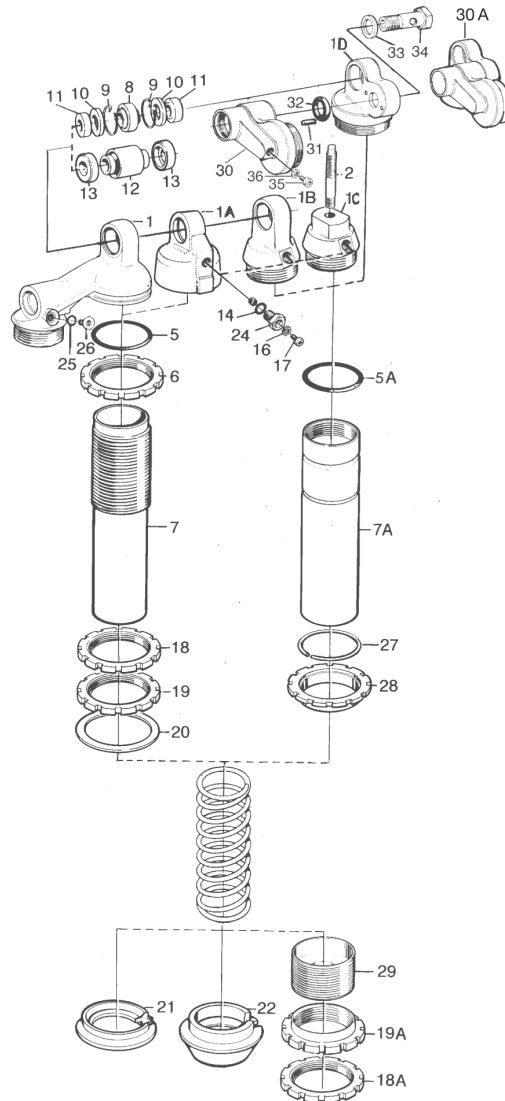


# HO 204

Honda VTR1000-SP2

## Body tube

Fig No.	Part No	Description	Qty
02-00	01092-29	Spring 57/170/90	1
02-00	01048-01	Seal washer dia 8 8.7x14x1	1
02-00	01597-02	Screw M8x1 aluminium	1
02-01D	03091-01	Cylinder head adjustable 46	1
02-05	00338-37	O-ring 50x2.5 NBR70	1
02-07	01210-08	Cylinder tube 46/132.5 AL	1
02-08	00536-02	Ball joint dia 14/26/15	1
02-10	00534-01	Seal ball joint 16/26/3.5	2
02-11	01018-16	Spacer, ball joint 10x28	1
02-11	01018-47	Spacer, ball joint 10x29	1
02-20	00543-01	Washer 57/73/1	1
02-21	01286-01	Spring clip for springs 57	1
02-25	00438-33	O-ring 5.6x1.6 NBR 70	1
02-26	00382-07	Screw MFT (DIN7991) A2 M5x8	1
02-30	03092-05	Comp adj. housing (5946 + 49 res.)	1
02-31	01030-08	Pin 2.5x12 CP r m6	1
02-32	00438-08	O-ring 14x3 NBR70	1
02-33	05086-01	Seal washer dia 14 14.7x22x1.5	1
02-34	03093-01	Banjo bolt cylinder head	1

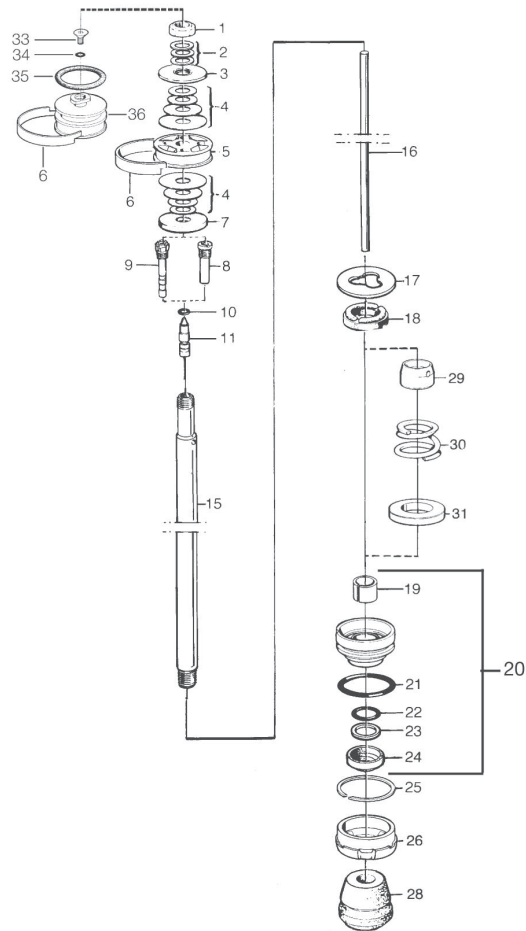


# HO 204

Honda VTR1000-SP2

## Shaft

Fig No.	Part No	Description	Qty
03-01	00539-01	Lock nut M12x1.25/7	1
03-02	00578-01	Washer PS 12/18/1	3
03-03	00519-07	Stop washer 12/20/2 flat	1
03-05	01114-14	Piston 12/46	1
03-06	00541-01	Piston ring 46	1
03-07	00519-08	Stop washer 12/37/4 TOP-OUT	1
03-09	05666-18	Valve assy dia 1.8 shaft bleed 4.0	1
03-10	00338-14	O-ring 3.1x1.6 NBR70	1
03-11	05655-03	Adjustment needle diam.4	1
03-15	05500-07	Shaft 16/163	1
03-16	00566-83	Adj.shaft 103.6/4.5	1
03-19	01056-13	Bushing 16/18/12 DU	1
03-20	05129-04	Seal head assy 46/16	1
03-21	00576-01	O-ring 40.2x3 NBR70	1
03-22	01027-01	X-ring 15.54x2.62 NBR 88	1
03-23	01032-01	Back-up ring 16/20.6/1.4 PTFE	1
03-24	01031-02	Scraper 16/26x8/5.5	1
03-25	00575-01	Circlip SB 46, stainless	1
03-26	01065-01	End cap 46/16	1
03-28	00563-03	Bump rubber 16/47/19 PUR 650	1
03-29	01132-02	Top-out spring guide 16 - 5500shaft	1
03-30	01131-02	Stop spring 24.5/21.5/700N	1
03-31	01269-03	Spacer 16/38/3	1

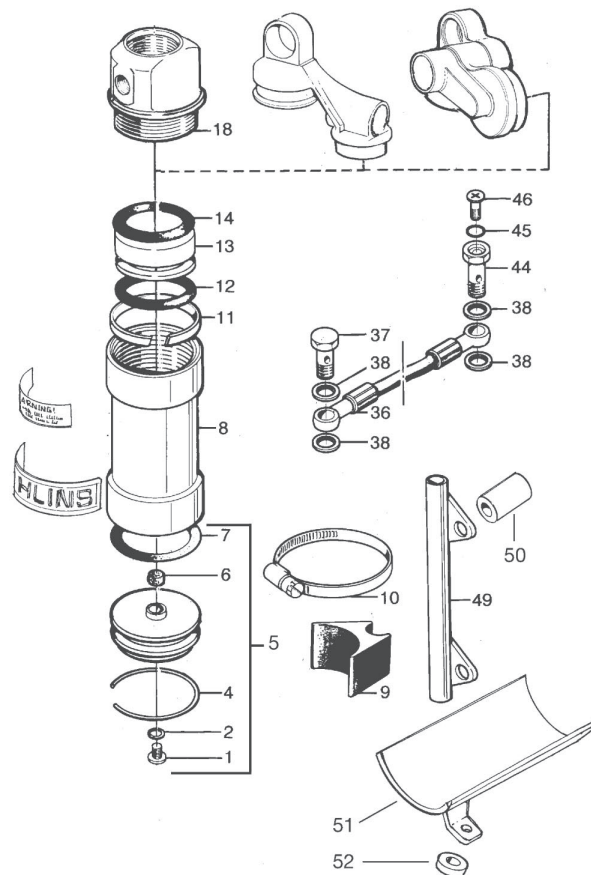


# HO 204

Honda VTR1000-SP2

## Reservoir

Fig No.	Part No	Description	Qty
04-00	00191-06	Sticker "ÖHLINS" blue/transp 18x46	1
04-00	00196-01	Sticker "Warning"black/transp 17x53	1
04-01	01050-01	Screw DIN 7985 Torx A2 M4x6	1
04-02	00338-59	O-ring 4.5x1.5 NBR70	1
04-04	00329-04	Circlip 53/1.5	1
04-04	00131-03	Circlip SW 10	1
04-05	00161-04	Reservoir top assy 49	1
04-08	00403-02	Reservoir 49/90	1
04-11	00340-03	Teflon band Dia 49/5 55-60D Shore D	1
04-12	00438-27	O-ring 40x5 FKM70	1
04-13	00405-01	Reservoir piston 49	1
04-14	00438-26	O-ring 44.04x3.53 NBR70	1
04-14	00438-27	O-ring 40x5 FKM70	1

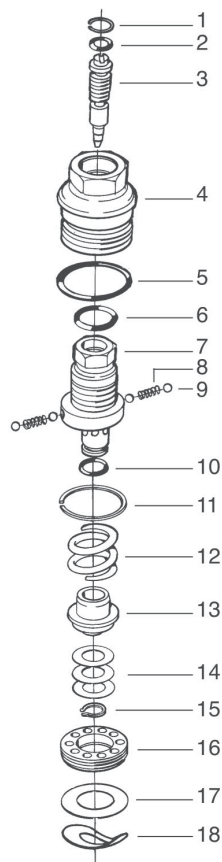


# HO 204

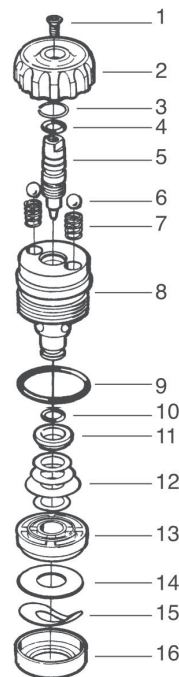
Honda VTR1000-SP2

## Comp. Valve

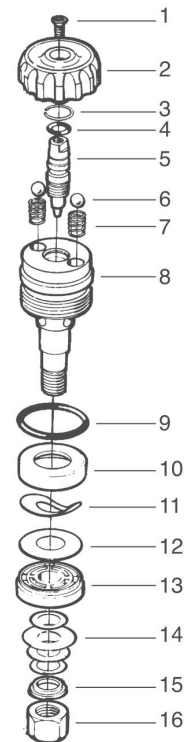
Fig No.	Part No	Description	Qty
05-01	01473-01	Circlip SRH 8 stainless	1
05-02	00577-01	O-ring 5.1x1.6 NBR70	1
05-04	05942-01	End piece, 2-w comp.adj. click	1
05-05	00438-02	O-ring 23.52x1.78 NBR70	1
05-06	00338-69	O-ring 11.1x1.6 NBR70	1
05-07	05943-01	Needle housing	1
05-08	05945-01	Spring SS2796 0,32x2x7,69	2
05-09	00884-02	Ball 2.5-G20	4
05-10	00438-52	O-ring 6x1 NBR 70	1
05-11	00575-13	Circlip SB 23	1
05-12	04102-25	Spring, k=50 N/mm, L=16mm	1
05-13	04103-02	Poppet valve, dia 14	1
05-13	05944-01	Adjustment needle 1,5mm	1
05-14	01420-14	Shims 6/14/0.20	3
05-15	01499-04	Circlip SRA 6	1
05-16	04104-02	Valve seat, dia 12	1
05-17	00520-23	Shims 12/23/0.20	1
05-18	04105-01	Wave washer 12/23/3.2	1



5946-xx



1249-xx



1250-xx

# HO 204

Honda VTR1000-SP2

## Preload adjuster

Fig No.	Part No	Description	Qty
06-00	00191-06	Sticker "ÖHLINS" blue/transp 18x46	1
06-01	03611-01	Support ring di 54.4x3.25x1.5	1
06-02	00338-90	O-ring 54X4 NBR70	2
06-03	03607-01	Preload housing M10-hose	1
06-05	03610-01	Support ring 62.2x3.25x1.5	1
06-06	03606-01	Inner sleeve hydr.prel.adj	1
06-07	03609-01	Lock nut 61/52/6	1
06-08	03608-01	Guide nut 52/73/6	1
06-09	03613-01	Pin CP 4x35 m6 A1	1
06-10	01047-09	Hose M8x1/M10x1/550	1
06-11	01048-01	Seal washer dia 8 8.7x14x1	1
06-12	03600-02	Adj.cylinder hydr.prel.adj 3:1 8mm	1
06-13	00338-79	O-ring 5.28x1.78 NBR70	1
06-14	00382-07	Screw MFT (DIN7991) A2 M5x8	1
06-15	03601-02	Guide screw M3x6.5	1
06-15	03614-01	Seal washer dia 3 3.1x6.4x1.3	1
06-16	03604-02	Piston 17.5/M12-left/34	1
06-17	00338-71	O-ring 12.37x2.62 NBR70	1
06-18	03602-02	Adj. screw M12-left/54.5	1
06-19	03083-01	Spring 3/6.1/6.18	1
06-20	00884-03	Ball 3-G40-X46CR13	1
06-22	03073-02	Thrust washer LS 1024	1
06-23	01023-02	Thrust needle bearing AXK1024	1
06-24	03072-02	Thrust washer AS 1024	1
06-25	03603-01	Cover 29/10.3/9	1
06-26	00338-88	O-ring 10x2.5 NBR70	1
06-27	03605-01	Knob for hydr.prel.adj. with hose	1
06-28	00382-08	Screw MF6S 5x12 stainless	1
06-30	01082-02	Bracket hydraulic preload adjust.	1
06-32	01138-01	Spacer 6.5/15/5	2
06-34	01046-02	Bolt MC6S 6x30 8.8 fzb	2
06-35	00430-02	Nut M6 DIN 985 fzb kl8	2
06-36	01046-25	Bolt MC6S 8x50 8.8 fzb	1

