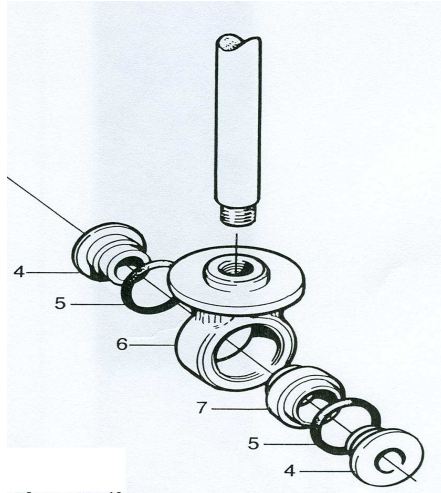
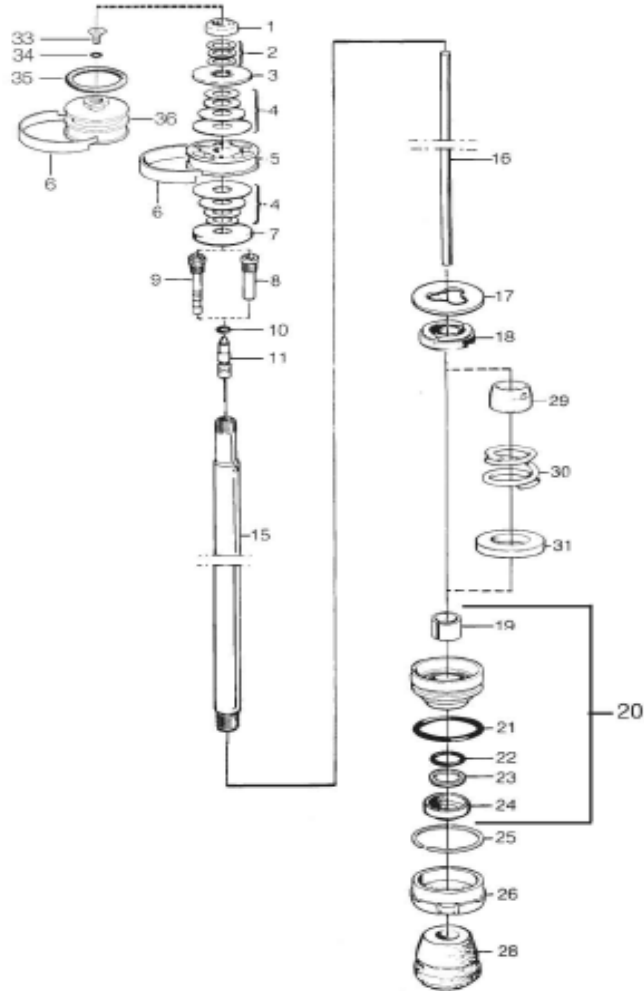


Fig. 01



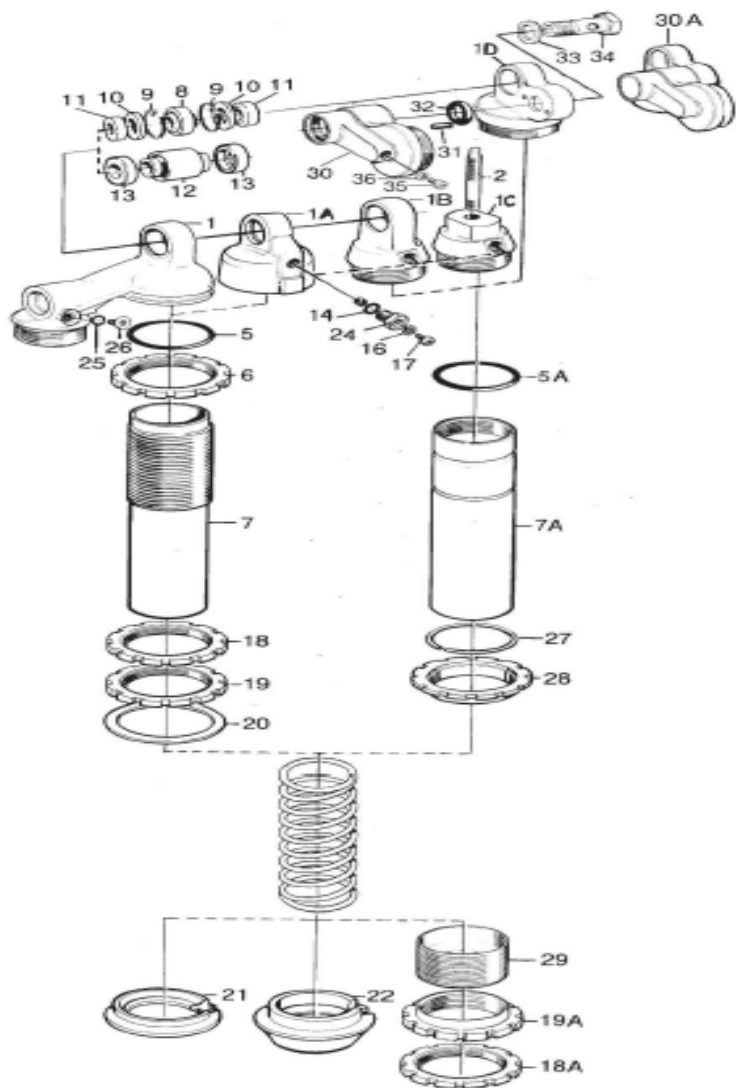
<i>End eye</i>	S36D	HONDA VTR 250	HO 9440
<i>Fig no.</i>	<i>Part no.</i>	<i>Description</i>	<i>Qty</i>
01-04	01218-16	Spacer left side	1
01-04	01218-47	Spacer right side	1
01-05	00534-01	Seal	2
01-06	21155-01	End eye	1
01-07	00536-04	Ball joint	1

Fig.02



Shaft	S36D	HONDA VTR 250	HO 9440
Fig. no	Part no	Description	Qty
02-01	00139-02	Lock nut	1
02-02	00120-01	Washer	1
02-03	00120-05	Washer	5
02-04		Shim stack see spec.card	
02-05	00104-18	Piston	1
02-06	03078-01	Piston ring main piston	1
02-06	00141-01	Pistonring reservoir piston	1
02-07	00119-07	Stop washer	1
02-15	21001-04	Shaft	1
02-17	03269-03	Spacer	5
02-18	03067-02	Stop rubber	1
02-19	01056-12	Bushing	1
02-20	03164-06	Seal head assy	1
02-21	00338-09	O-ring	1
02-22	04717-02	Seal	1
02-23	01032-09	Back-up ring	1
	04729-02	Shim	1
02-24	03070-02	Scraper	1
02-25	00128-01	Circlip	1
02-26	03065-01	End cap	1
02-28	21029-01	Bump rubber	1
02-31	04752-02	Washer seal head.	1
02-33	00382-01	Screw	1
02-34	00338-01	O-ring	1
02-35	00338-28	O-ring	1
02-36	00305-03	Reservoir piston	1

Fig.03



Shaft	S36D	HONDA VTR 250	HO 9440
Fig. no	Part no	Description	Qty
03-00	00191-13	Sticker Öhlins	1
03-00	00196-01	Sticker Varning	1
03-01	00201-08	Cylinder head	1
03-05	00338-02	O-ring	1
03-07	04300-38	Cylinder tube	1
03-08	00536-04	Ball joint	1
03-10	00534-01	Seal	2
03-11	01218-24	Spacer	2
03-14	00338-07	O-ring	1
03-16	00338-59	O-ring	1
03-17	01050-01	Screw	1
03-19	03251-02	Spring platform	1
	05410-02	Stop screw spring platform	1
03-21	00162-02	Spring clip	1
03-24	00603-03	Valve assy	1
	00417-02	Protector cylinder tube	1
	00281-36	Main spring	1