

Fig. 01

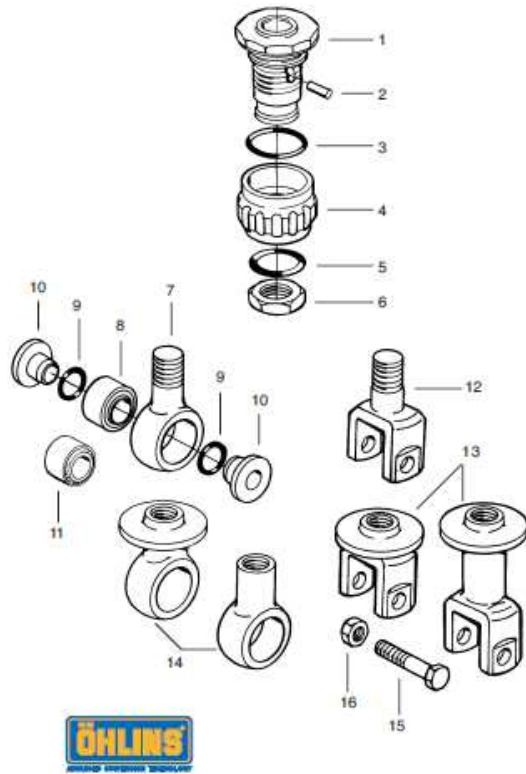
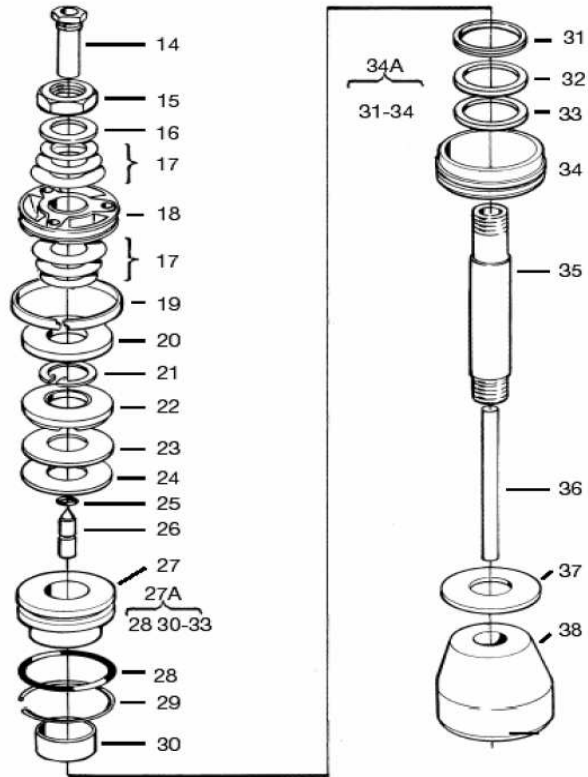


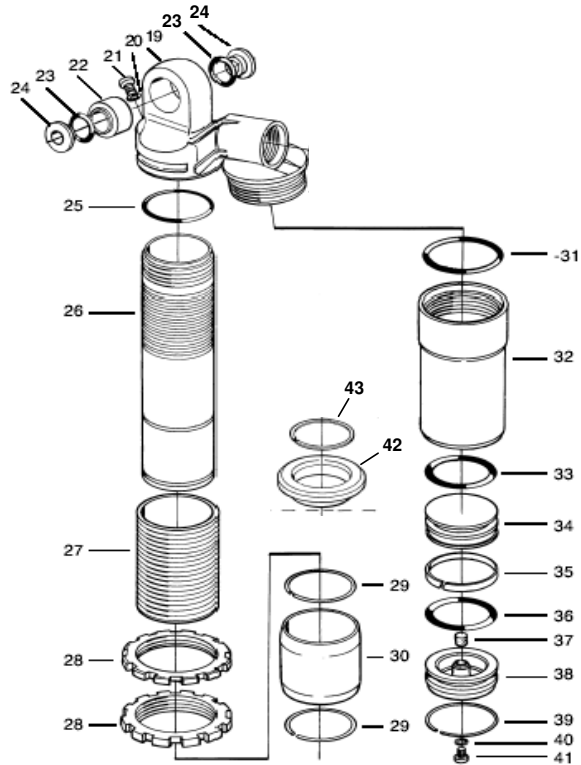
Fig No.	S36PR1C1L Part No	KAWASAKI Street Line Twin Description	KA 747 Qty
01-01	03058-01	Shaft extension	1
01-02	01030-07	Pin	1
01-03	00338-83	O-ring Reb.adjuster lower	1
01-04	03057-01	Adjustment knob	1
01-05	00338-25	O-ring Reb.adjuster upper	1
01-06	03059-01	Nut	1
01-07	03061-12	End eye	1
01-08	00124-14	Rubber bushing	1

Fig. 02



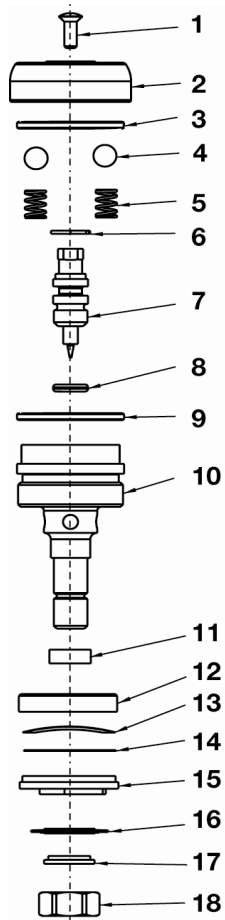
	S36PR1C1L	KAWASAKI Street Line Twin	KA 747
Fig no.	Part No	Description	
End eye			Qty
02-14	05621-03	Shaft jet	1
02-15	00539-01	Lock nut	1
02-16	00578-01	Washer	3
02-17		Shimstack see spec.card	
02-18	03077-02	Piston	1
02-19	03078-01	Piston ring	1
02-20	00519-11	Stop washer	1
02-22	03067-02	Stop rubber	1
02-25	00338-14	O-ring	1
02-26	05655-03	Needle	1
02-27A	03164-06	Seal head assy	1
02-27	03064-03	Seal head	1
02-28	00338-09	O-ring	1
02-29	00128-01	Circlip	1
02-30	01056-12	Bushing	1
02-31	04752-02	Washer	1
02-32	04717-02	Seal	1
02-33	01032-09	Back up ring	1
	04729-02	Shim	1
	03070-02	Scraper	1
02-34	03065-02	End cap	1
02-35	04063-02	Shaft	1
02-36	03566-42	Adj.shaft	1
02-38	03063-01	Bump rubber	1

Fig. 03



	S36PR1C1L	KAWASAKI Street Line Twin	KA 747
Fig no.	Part No	Description	
Body tube			Qty
03-00	00191-01	Sticker Öhlins	1
03-00	00196-01	Sticker Warning	1
03-19	03250-01	Cylinder head left side	1
03-19	03250-02	Cylinderhead right side	1
03-20	00438-33	O-ring	1
03-21	00382-07	Screw	1
03-22	00124-15	Rubber bushing	1
03-25	00338-02	O-ring	1
03-26	04300-17	Cylinder tube	1
03-28	03251-03	Spring platform	1
	05410-02	Stop screw spring platform	1
03-30	00417-02	Support sleeve	1
03-31	00438-26	O-ring	1
03-32	00403-02	Reservoir	1
03-33	00438-27	O-ring	1
03-34	00405-01	Reservoir piston	1
03-35	00340-03	Teflon band	1
03-36	00438-27	O-ring	1
03-38	00161-04	Reservoir top assy	1
03-39	00329-04	Circlip	1
03-40	00338-59	O-ring	1
03-41	01050-01	Screw	1
	00480-12	Main spring	1
	00116-04	Spring clip	1

Fig.04



01250-21	S36PR1C1L	KAWASAKI Street Line Twin	KA 747
Fig no.	Part No	Description	
Comp valve			Qty
04-01	00828-01	Screw	1
04-02	03253-01	Knob	1
04-04	00884-07	Ball	2
04-05	00833-01	Spring	2
04-06	01473-06	Circlip	1
04-07	01242-07	Adjustment needle	1
04-08	00338-79	O-ring	1
04-09	00338-27	O-ring	1
04-10	01243-10	End piece	1
04-12	01247-01	Check valve housing	1
04-13	01246-01	Wave washer	1
04-14	01245-01	Check valve shim	1
04-15	01244-05	Valve	1
04-16		Shims see spec.card	
04-17	00641-01	Washer	1
04-18	00430-07	Nut	1